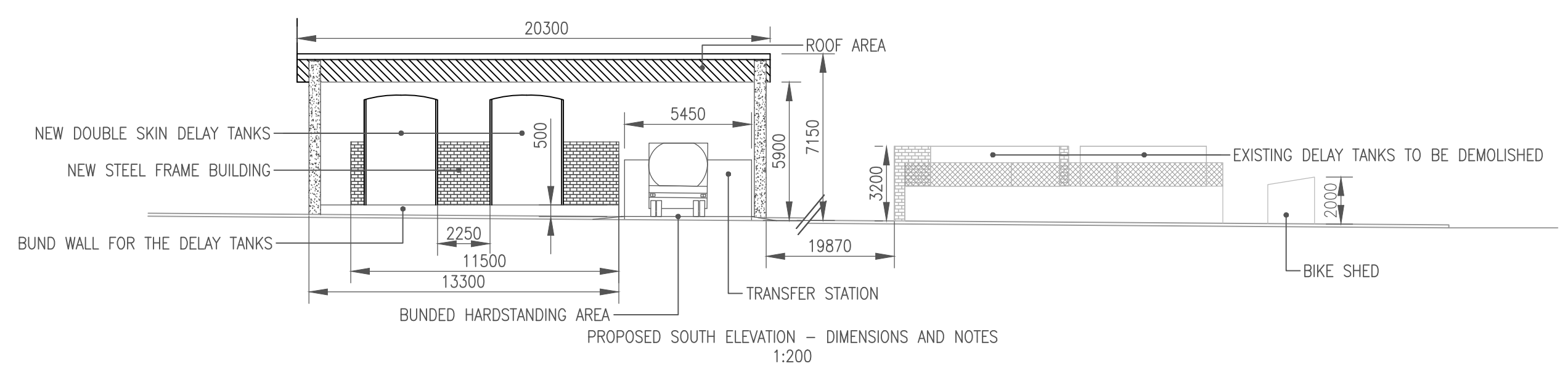
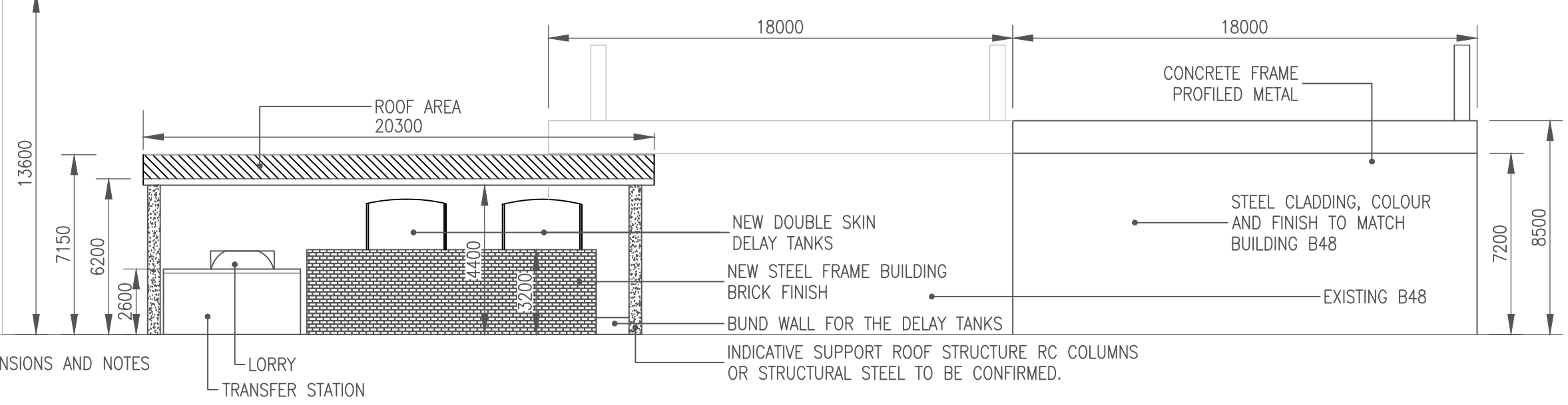
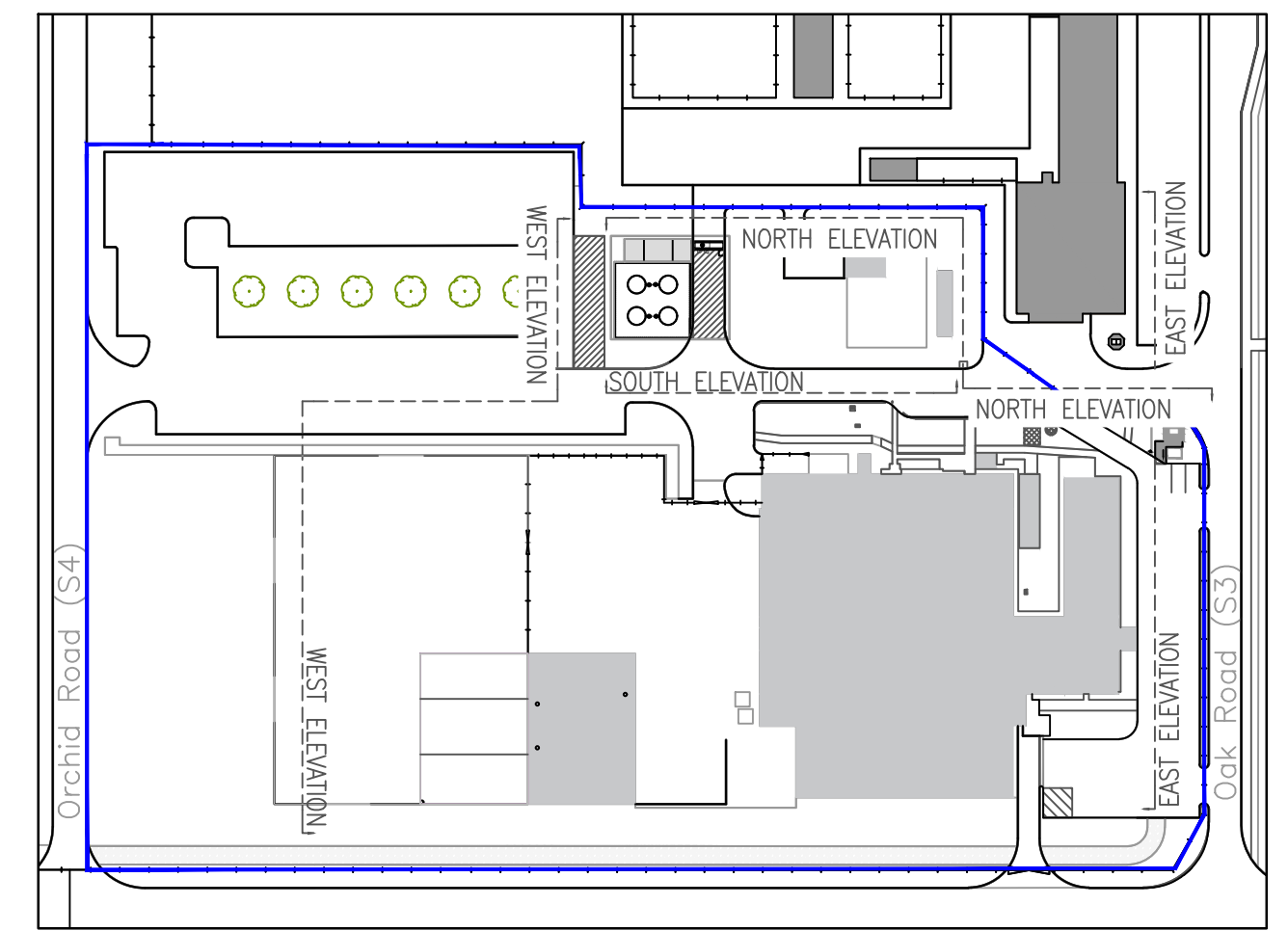
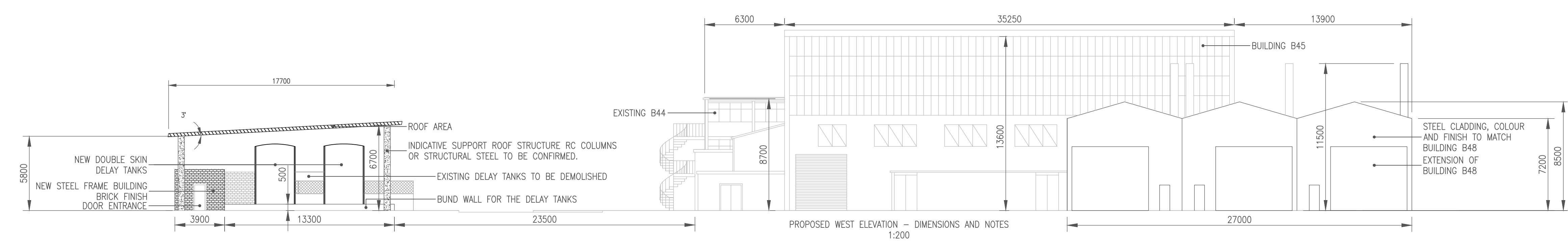
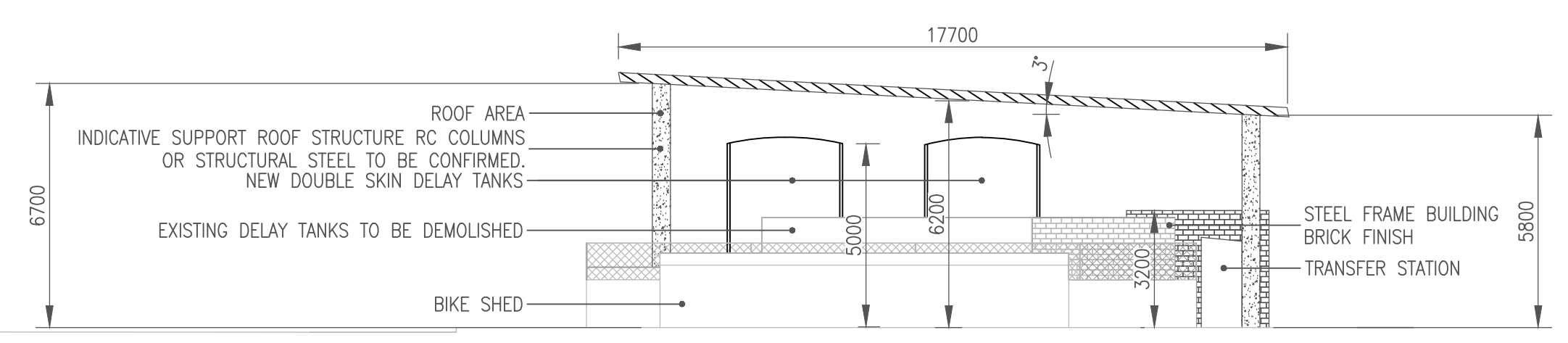
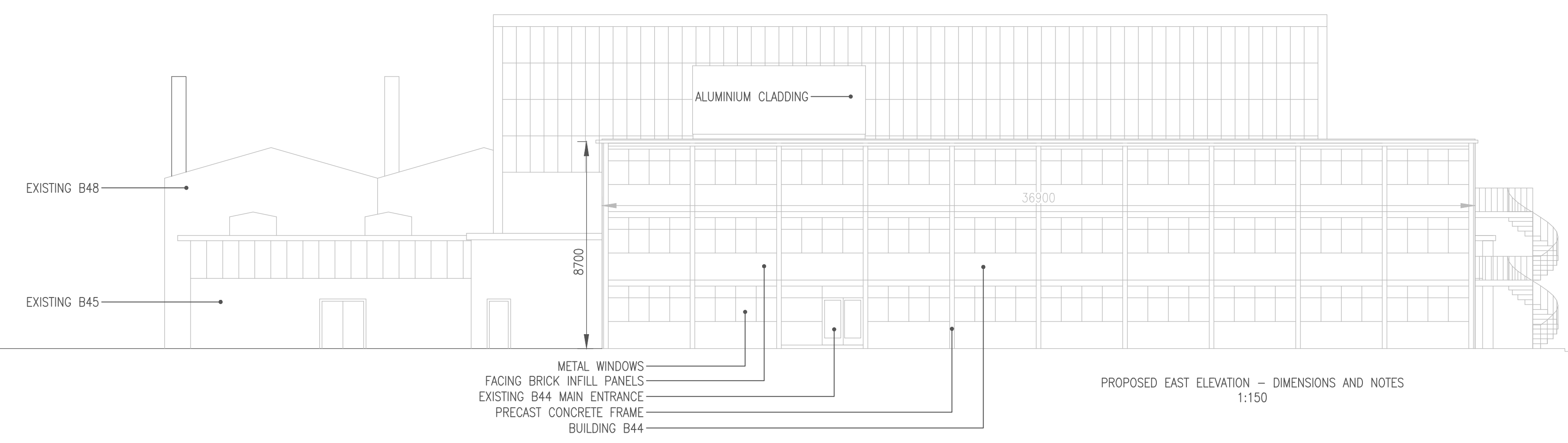


NOTES:
 1. ALL DIMENSIONS IN MILLIMETRES UNLESS OTHERWISE STATED.
 2. THIS DRAWING MUST NOT BE USED FOR CONSTRUCTION.



PLANNING SUBMISSION

G	RED PLANNING APPLICATION BOUNDARY REMOVED FROM THE EXISTING DELAY TANKS.	CM	JEP	31/08/16
F	CLIENT NAME AMENDED TO MATCH WITH PLANNING APPLICATION DOCUMENTATION.	CM	JP	27/06/16
E	DIMENSIONS ADDED TO SOUTH AND WEST ELEVATIONS (DELAY TANKS BUNDED AREA HIGH AMENDED).	CM	JP	25/07/16
D	LABELS AMENDED ACCORDING WITH RPS COMMENTS. STACKS ON EXISTING B48 AMENDED.	CM	NA	22/07/16
C	ALL ELEVATIONS AMENDED. EXISTING STACKS MISSING ADDED. ROOF SHAPE AMENDED.	CM	JP	21/07/16
B	WEST AND SOUTH ELEVATIONS AMENDED. LOCATION PLAN ADDED.	CM	JP	15/07/16
A	NORTH AND EAST ELEVATIONS AMENDED.	CM	JP	05/07/16
-	FIRST ISSUE	CM	PS	17/06/16
MK	REVISIONS	DRN	CHK	DATE


Such-Salinger-Peters
 CONSULTING ENGINEERS
 Suite 1, Fourth Floor
 Dean Park House
 10 Dean Park Crescent
 Bournemouth, Dorset, BH1 1HL
 Tel (01202) 293 213
 enquiries@sspcconsulting.co.uk www.sspconsulting.co.uk

CLIENT TRADEBE INUTEC
 B44 WINFRITH, WOOL

PROJECT B4 DELAY TANKS

DRAWING TITLE FIGURE 2.D
 ELEVATIONS

SCALE As shown DATE 17/06/2016
 DESIGNED CM CHECKED PS

DRAWING No. 80122-16 REVISION G